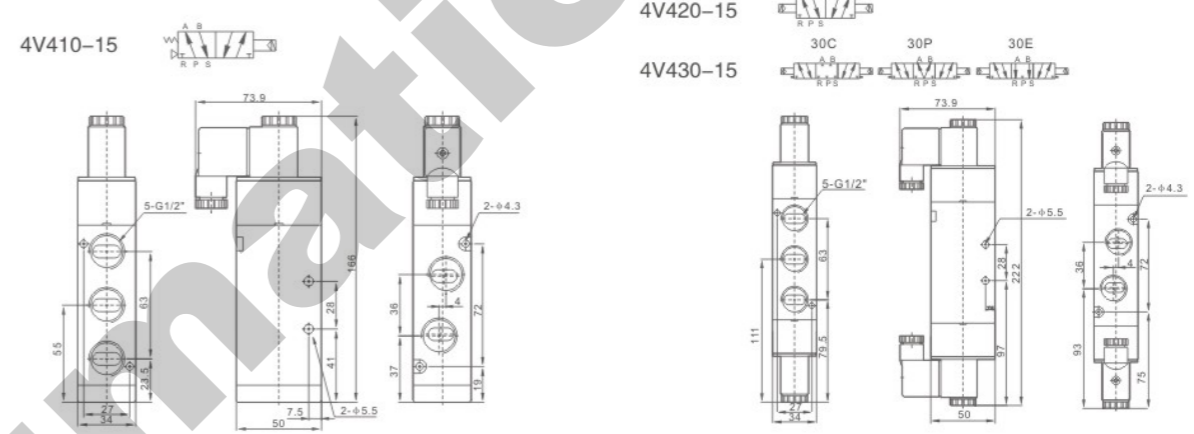


4V、3V400 Series Solenoid Valve, 4A、3A 400 Series Pneumatic Control Valve

4V、3V400 Series Solenoid Valve, 4A、3A400 Series Pneumatic Control Valve

Overall Dimensions



Ordering Code

4V **4** **10** **10** **AC220V**
Specification Code **Series Code** **Coil and Places** **Port Size** **Port connection and Initial State** **Standard Voltage** **Wiring Form**
 4V:Two(Three)-position Five-way Solenoid Valve 400 Series 10:Single-head Double-position 20:Double-head Double-position 30C:Double-head Three-position Close Type 30E:Double-head Three-position Exhaust Type 3A:Two-position Three-way Pneumatic Control Valve
 4A:Two(Three)-position Five-way Pneumatic control Valve 30C:Double-head Three-position Close Type 30E:Double-head Three-position Exhaust Type 30P:Double-head Three-position Pressure Type
 3V:Two-position Three-way Solenoid Valve
 3A:Two-position Three-way Pneumatic Control Valve
 NC:Two-position Three-way Normal Close Type NO:Two-position Three-way Normal Open Type
 DC12V DC24V AC24V 50Hz/60Hz AC110V 50Hz/60Hz AC220V 50Hz/60Hz AC380V 50Hz/60Hz
 Blank:Standard Connector LD:Brown With Lighting Connector LD1:White With Lighting Connector W:Lead Wire Type

Specification

Model	4V410-15	4V420-15	4V430C-15	4V430E-15	4V430P-15
	4A410-15	4A420-15	4A430C-15	4A430E-15	4A430P-15
Position and Way NO.	Two-position Five-way		Three-position Five-way		
Effective Sectional Area	50mm ² (CV=2.79)		30mm ² (CV=1.68)		
Model	3V410-15	3V420-15	3A410-15	3A420-15	
Position and Way NO.	Two-position Three-way				
Effective Section Area	50mm ² (CV=2.79)				
Joint Pipe Bore	Air Inlet=Air Outlet=Exhaust=G1/2"				
Working Medium	40 Micron Filtered Air				
Motion Pattern	Inner Guide Type				
Working-pressure	0.15~0.8 M Pa				
Max. Pressure Resistance	1.2MPa				
Operating Temperature	5~50°C				
Voltage Range	±10%				
Power Consumption	AC: 4.5VA DC: 3W				
Insulation & Protection Class	F Class, IP65				
Wiring Form	Lead Wire or Connector Type				
Highest Action Frequency	5 Cycle / Sec				
Shortest Excitation Time	0.05 Second				

